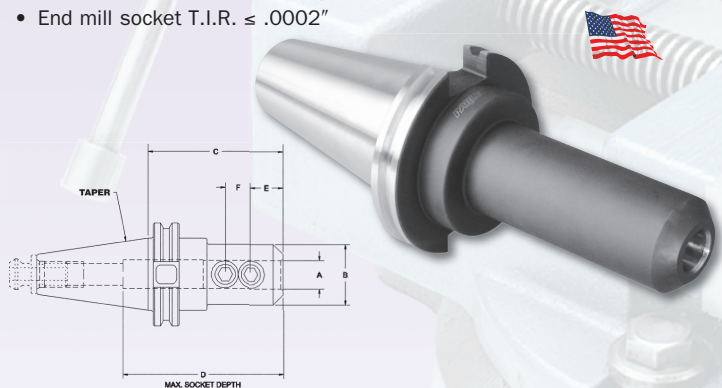




CAT V-Flange End Mill Holders

- Constructed of alloy steel for long, durable service life
- Hardened to RC 56-60 for long service life*
- End mill socket T.I.R. $\leq .0002''$



CAT 40 V-Flange

A Diameter	B Nose	C Gage Length	Order No.	Price	Sale
1/8	.69	1.75	GM96-C4001EM1	\$124.00	\$105.50
3/16	.69	1.75	GM96-C4018EM1	106.00	90.00
1/4	.88	1.75	GM96-C4025EM1	106.00	90.00
	.88	2.50	GM96-C4025EM2	106.00	90.00
5/16	1.00	2.50	GM96-C4031EM2	96.00	81.50
	1.00	1.75	GM96-C4037EM1	96.00	81.50
3/8	1.00	2.50	GM96-C4037EM2	96.00	81.50
	1.00	4.50	GM96-C4037EM4	106.00	90.00
	1.75	1.75	GM96-C4050EM1	96.00	81.50
1/2	1.25	2.62	GM96-C4050EM2	96.00	81.50
	1.25	4.62	GM96-C4050EM4	106.00	90.00
	1.75	1.75	GM96-C4062EM1	96.00	81.50
5/8	1.50	2.75	GM96-C4062EM2	96.00	81.50
	1.75	1.75	GM96-C4075EM1	96.00	81.50
3/4	1.75	3.00	GM96-C4075EM300	96.00	81.50
	1.75	3.50	GM96-C4075EM3	96.00	81.50
	2.00	1.75	GM96-C4010EM1	107.00	90.95
1	2.00	3.00	GM96-C4010EM3	107.00	90.95
	2.50	4.00	GM96-C4012EM4	113.00	96.00

C WH-282*64

HUOT TOOLSCOOP CNC Tool Cart

- Heavy gauge all steel infra-red baked epoxy finish
- 5" x 1 1/4" Casters load rated at 1000 lbs.
- 2 Storage trays with protective lining
- Second shelf angled for easy access
- Durable nylon inserts to protect tools

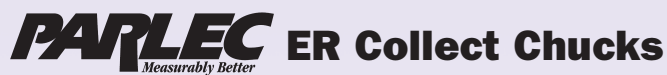


40 Taper
48 Holder Capacity
Order No. AP53-40HU
 Regular List Price \$448.00

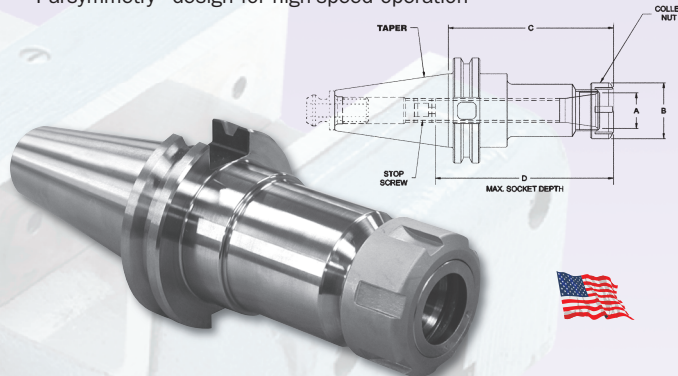
50 Taper
36 Holder Capacity
Order No. AP53-50HU
 Regular List Price \$448.00

C **Shipped UPS in 3 cartons - shipping weight 75 lbs.** MH-106*64

Your Choice
\$375.00



- Constructed of alloy steel for long, durable service life
- Hardened to RC 52-56
- Collet seat taper T.I.R. $\leq .0002''$
- Parsymmetry™ design for high-speed operation



CAT 40 V-Flange

Collet Type	B Nose	C Projection	Order No.	Price	Sale
ER11	.75	2.50	GM96-C4011ER2	\$173.00	\$147.00
	.75	4.00	GM96-C4011ER4	188.00	159.75
ER16	1.11	2.50	GM96-C4016ER2	180.00	153.00
	1.11	3.00	GM96-C4016ER3	170.00	144.50
ER20	1.34	3.00	GM96-C4020ER3	174.00	147.90
	1.34	4.00	GM96-C4020ER4	178.00	151.25
ER25	1.67	4.00	GM96-C4025ER4	182.00	154.75
	1.97	3.00	GM96-C4032ER3	180.00	153.00
ER32	1.97	4.00	GM96-C4032ER4	182.00	154.75
	2.36	4.00	GM96-C4040ER4	182.00	154.75

C WH-283*64

Clamp Champ V-Flange Toolholder Vise

- Mounts either horizontal or vertical
- Allows you to access both ends of the toolholder
- Mounts easily to a workbench
- For Cat 40 toolholders

Cat 40 Style
Order No. GM68-MM40V
 Regular Price \$149.00

C Sale \$127.50



WH-155*64

R8 Collet Set with Stand

This collet stand is easy to mount to your machine with just a couple of 1/4" screws. The stand holds 12 of your most frequently used collets and keeps them within reach. If you choose to close the cover, it will keep the collets free of chips at all times. The R8 collet rack is a sensible way to keep track of your R8 collets.



Order No. GP70-R8CR12
 Regular Price \$90.00

Sale \$65.00

WH-190*64

Prices Effective January 1, 2006 Through March 31, 2006

29